

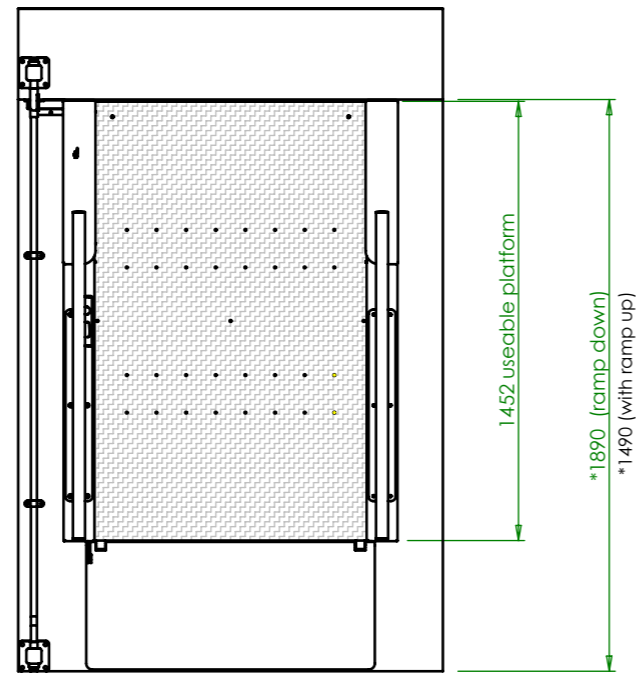
LR200000



Remove All Sharp Edges
Do Not Scale
If In Doubt - Ask

Technical Information

Built in Compliance with BS 6440:1999
 Safe working load = 300Kg
 Maximum threshold height = 1000mm
 Lift speed = 20mm/sec
 Ramp gradient = 1:6
 Power supply = 230V ac 50Hz single phase & earth
 Power Consumption = 230 Watts
 Lift operating voltage = 24V dc
 Battery Powered raise and lowering
 Manual emergency lowering
 Hydraulic drive
 Total lift unladen weight = 200Kg
 Suitable for internal and external use



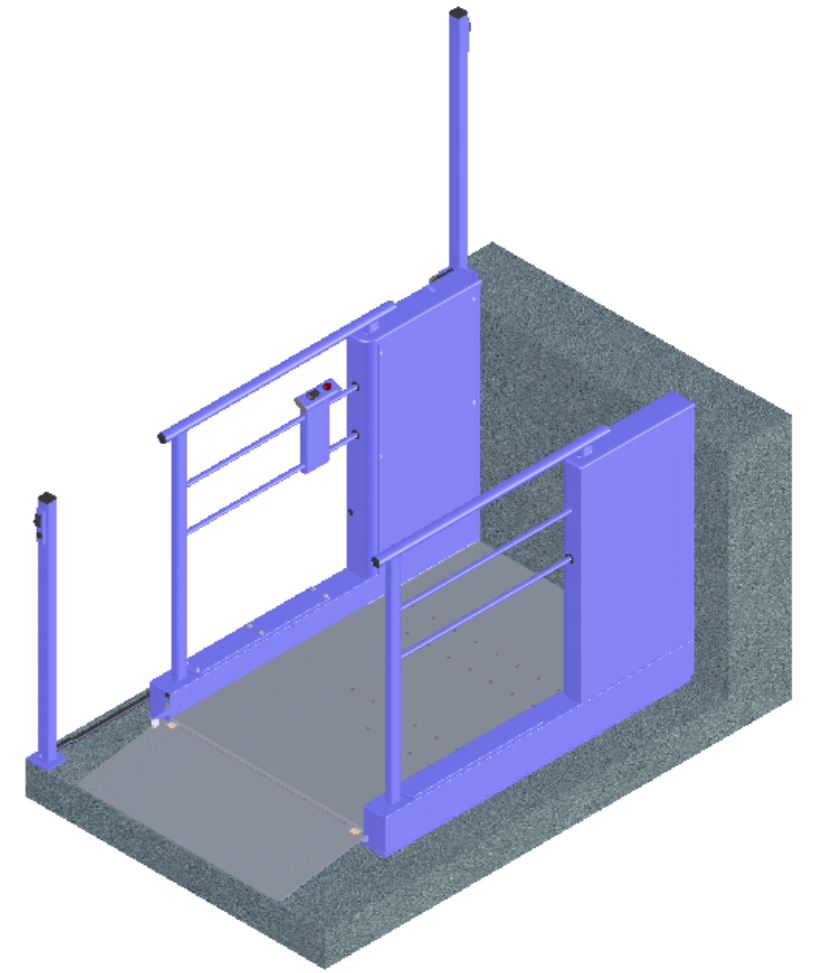
UPPER LEVEL GATE OPTION DETAILS

*Note: Add 55mm to the length dimension when a gate option is fitted.

The standard gate opening is 900mm for both the LR800 and LR900 lifts.

Must have minimum of 250mm threshold height when fitting a gate.

Gate must be fitted on threshold heights above 380mm. (Building Regs Part K)

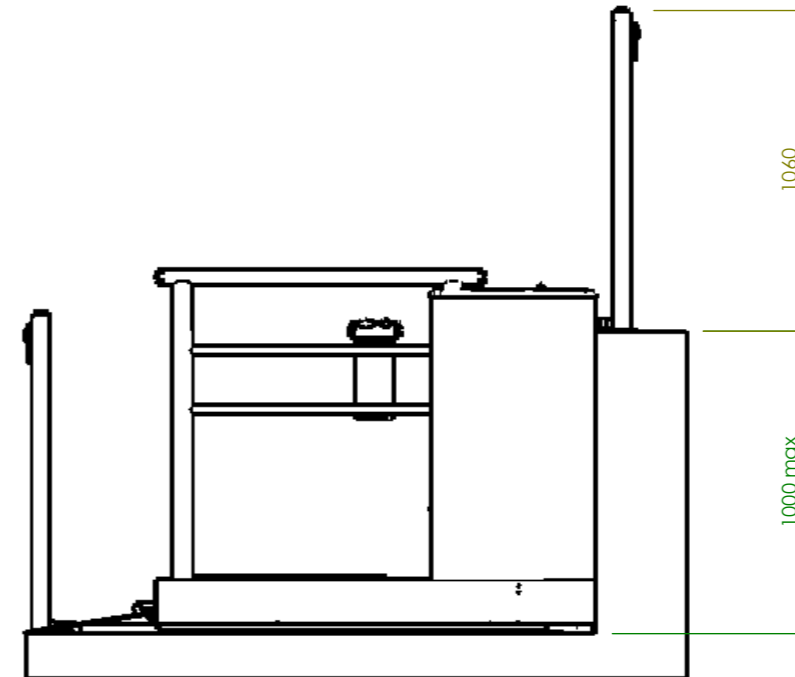
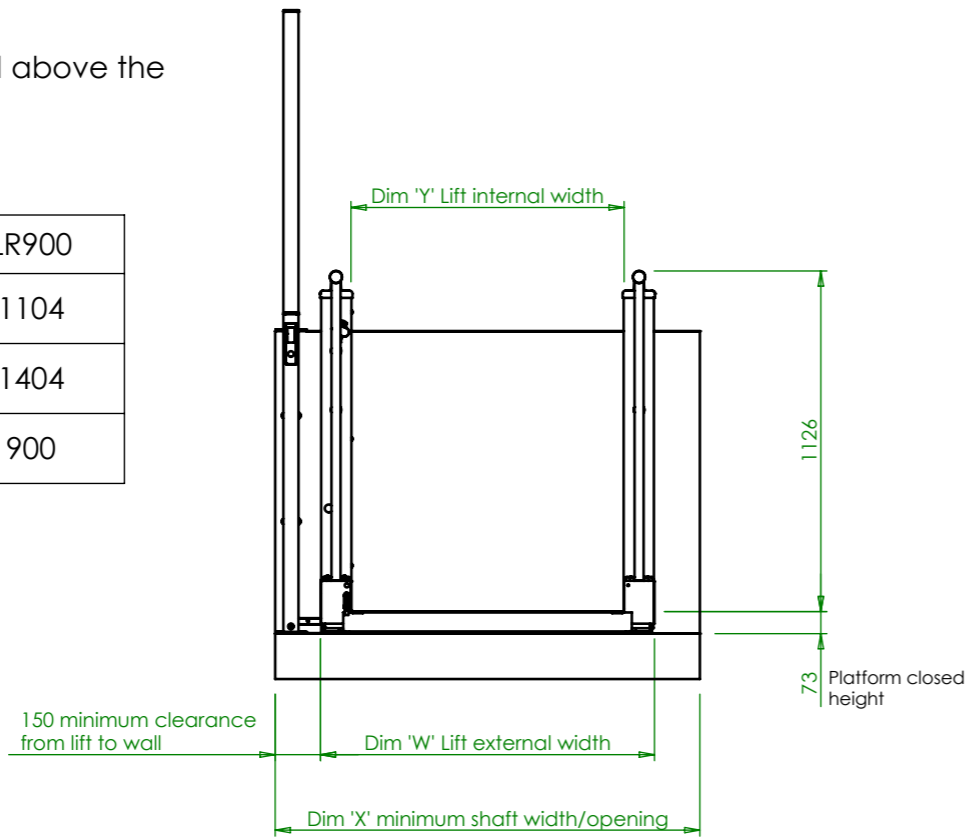


Note:

A turning circle of diameter 1500mm is recommended at the entrance and exit points of the lift for access.

A minimum of 2000mm is required above the threshold height.

	LR800	LR900
Dimension 'W'	1004	1104
Dimension 'X'	1304	1404
Dimension 'Y'	800	900



Alteration	Initials	Date	Issue
Turning circle note changed ECO 1288	WP	21.5.07	B



Wessex Lift Company Limited,
 Budds Lane, Romsey, Hampshire,
 SO51 0HA

THIS DRAWING IS THE PROPERTY OF WESSEX LIFT COMPANY LIMITED, AND MAY NOT BE PUBLISHED REPRODUCED OR USED FOR MANUFACTURE WITHOUT THE EXPRESS PERMISSION OF THE OWNERS IN WRITING

Unless Otherwise Stated All Dimensions are in mm.
 TOLERANCES unless otherwise stated:
 Decimal Places:
 X = ±1
 X.X = ±0.25
 X.XX = ±0.13
 ANGULAR: ±0.5°
 Thread ISO Coarse Class 6
 Hole sizes = H11

DRAWN	NAME	WP	DATE	02/04/2007
MATERIAL:	N/A			
FINISH:	N/A			
Weight	N/A			
SCALE:1:25	Sheet Size A3			

LR LIFT SPECIFICATION

DWG NO.

LR007000

SHEET 1 OF 1